

## Crestron Flex Wall Mount Small Room Video Conference System for Zoom Rooms™ Software

The UC-B30-Z Crestron Flex wall mount conferencing system provides a small room video conference solution for use with Zoom Rooms™ software. It supports a single video display and features a tabletop touch screen device, UC Bracket Assembly, and a Smart Soundbar and Camera.

The latest firmware must be loaded onto the touch screen prior to operation. Refer to [www.crestron.com/Support](http://www.crestron.com/Support) or to the touch screen's [product page](#) to download the latest device firmware.

### Minimum Requirements

- A video display connected to the UC Engine.
- A Zoom Rooms account or activation code



### In the Box

#### Tabletop Touch Screen Device

- 1 10.1 in. Tabletop Touch Screen (6510821)
- 1 Grommet, Cable, Closed (2055455)
- 1 Grommet, Cable, Open (2055456)
- 1 Cover, Cable compartment (2055457)

#### Smart Soundbar and Camera

- 1 Soundbar and Camera (6511283)
- 1 Power supply (2045873) with cord (2042043)
- 1 Cable, USB 3.0, A - B, 6 ft (1.8 m) (2053077)
- Mounting hardware

#### UC Bracket Assembly

- 1 UC Bracket Assembly with UC Engine and HDMI® content ingest (6511479)
- 2 Anchor, Drywall, Plastic, 3/8 in. x 1/2 in. (2052565)
- 1 Bit, Spanner, #6 (2052847)
- 1 EDID passthrough (2055728)
- 1 Key, Anchor (4529654)
- 1 Power cord (2053985)
- 1 Screw, 6-32 x 3/8 in., Undercut Head, Spanner (2052846)
- 2 Screw, 8-AB x 1-1/2 in., Pan Head, Combo (2052567)
- 4 Tie Wrap (2047935)

#### Additional Items

- 1 PoE injector (6502429)
- 2 Cable, CAT5e, RJ-45 - RJ-45, 7 ft (2.1 m) (6509924)
- 1 Cable, HDMI, 20 ft (6.1 m) (6503567)
- 1 Cable, HDMI, 6 ft (1.8 m) (6503565)

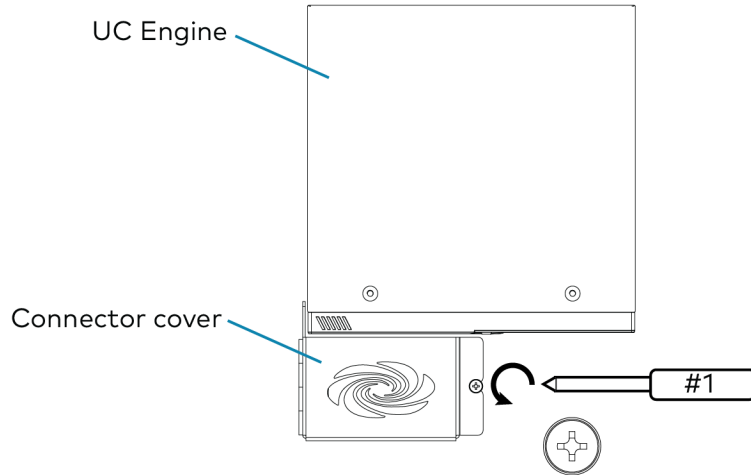
## Crestron Flex Wall Mount Small Room Video Conference System for Zoom Rooms™ Software



### Connect

To make system connections:

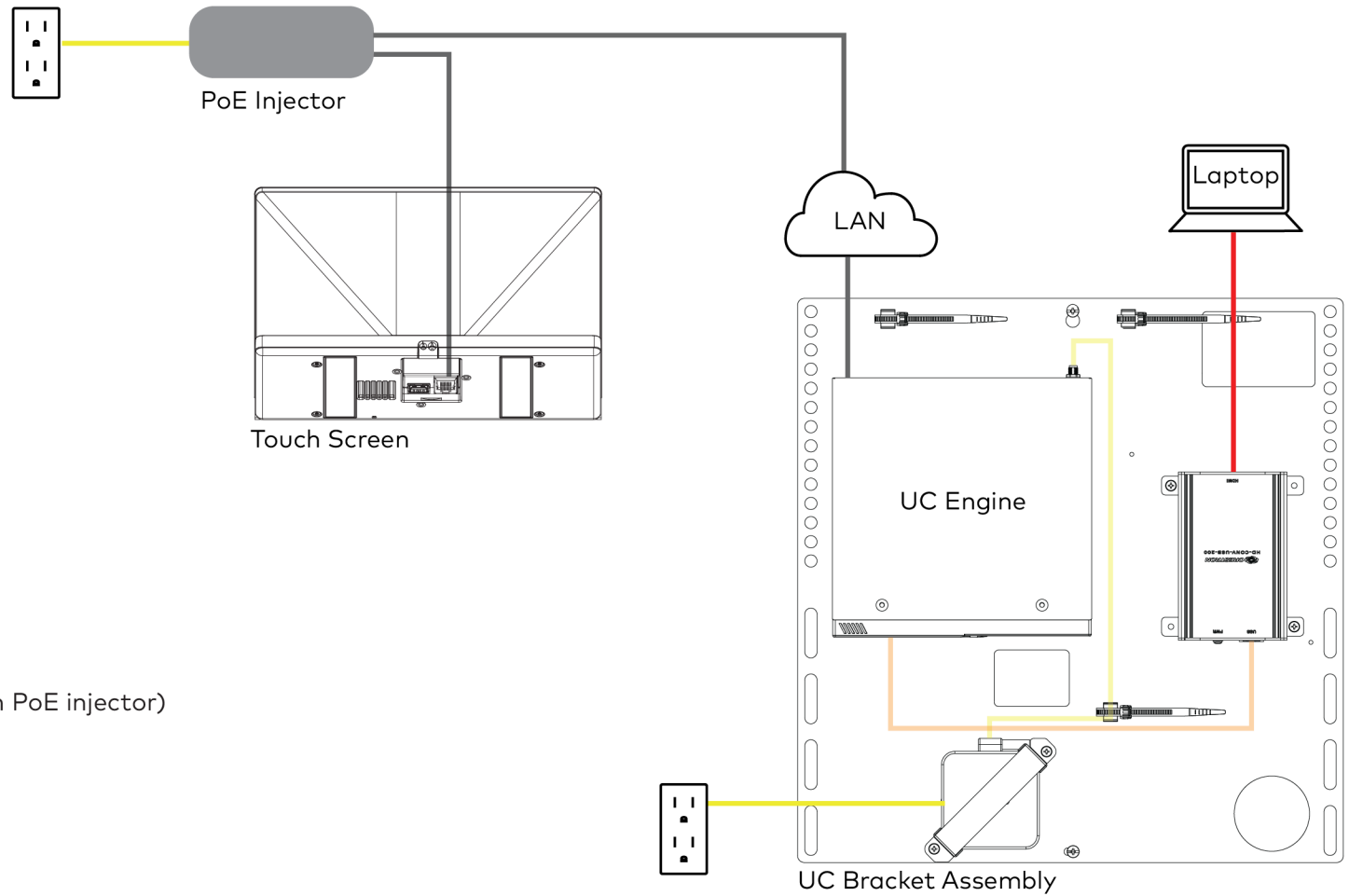
1. Remove the connector cover prior to making connections on the bracket assembly.



# UC-B30-Z

## Crestron Flex Wall Mount Small Room Video Conference System for Zoom Rooms™ Software

2. Make system connections as shown below.

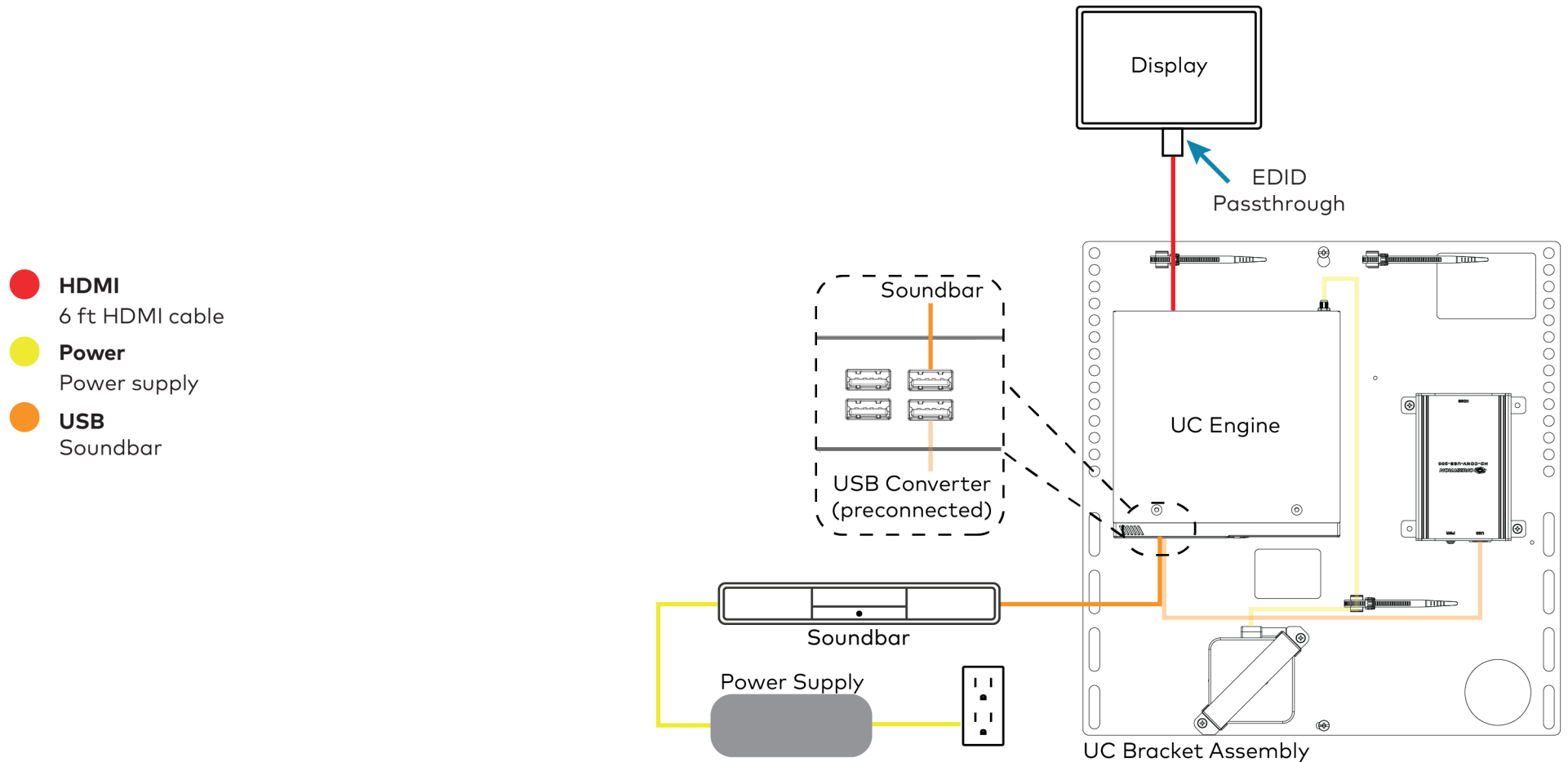


- CAT5e or better**
  - 7 ft CAT5e cable (x2)
  - 5 ft CAT5e cable (supplied with PoE injector)
- HDMI**
  - 20 ft HDMI cable
- Power**
  - PoE Injector
  - UC Bracket Assembly

## Crestron Flex Wall Mount Small Room Video Conference System for Zoom Rooms™ Software

3. Make the remaining system connections as shown below.

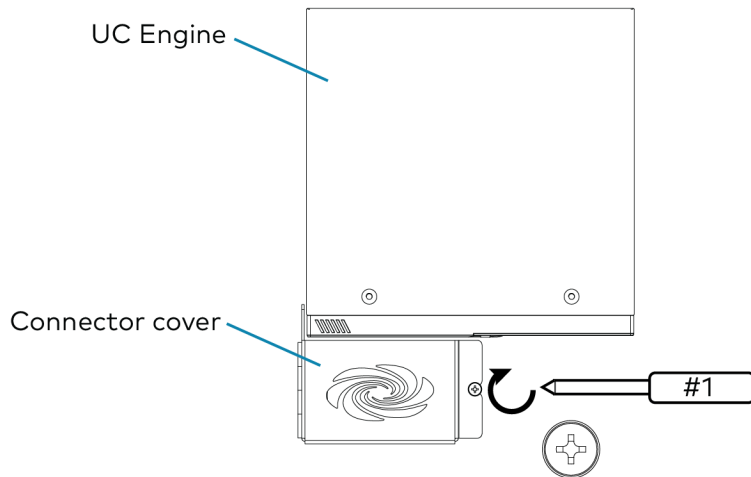
**CAUTION:** Connect the soundbar as shown below. Do not connect the soundbar to any other USB ports on the UC Engine.



# UC-B30-Z

## Crestron Flex Wall Mount Small Room Video Conference System for Zoom Rooms™ Software

4. Bundle the cables with the integrated cable tie wraps. The cable tie wraps are reusable.
5. After completing the connections, secure the connector cover using a #1 Phillips head screwdriver to replace the screw.



### Apply Power

Press the power button on the bottom of the UC Engine and apply power to all of the other devices in the system. The connected display device will show a pairing code.

### Log In to the Zoom Rooms Service

1. Tap **Touch Here to Enable a Specific Application** on the bottom of the screen. A list of applications is displayed.
2. Tap **Zoom Rooms** and then tap **Confirm**. The touch screen will reboot.

3. Enter the pairing code shown on the display to pair the touch screen with the UC Engine. The Zoom Rooms controller app is displayed.
4. Log in to the Zoom Rooms service with an activation code or Zoom Rooms Credentials (email and password).
  - **Activation Code:**
    - a. Tap **Enter Activation Code**.
    - b. Enter the 16-digit activation code provided by the administrator to activate the Zoom Room that is assigned to the activation code. The Zoom Rooms Conference Room screen is shown on the display.
  - **Sign In:**
    - a. Tap **Sign In**.
    - b. Enter the Zoom Room credentials and tap **Sign In**.
    - c. Select the conference room name from the list and tap **Next**. The Zoom Rooms Conference Room screen is shown on the display.
5. Tap **Settings**. If a password is required, enter the password (the default password is "1234"). The **Settings** screen is displayed.
6. Tap **Microphone** and select the soundbar as the source.
7. Tap **Speaker** and select the soundbar as the source.
8. Tap **Meet Now** to exit.

### Configure the System

Connect a USB keyboard and mouse (sold separately) to a USB port on the UC Engine to configure system features. For detailed information on using Zoom Rooms, refer to the [Zoom Rooms Help Center](#).

## Crestron Flex Wall Mount Small Room Video Conference System for Zoom Rooms™ Software



## Visit the Product Page

Scan the QR code to visit the product page.

UC-B30-Z



[www.crestron.com/model/6511610](http://www.crestron.com/model/6511610)

## Additional Information

**Original Instructions**

The U.S. English version of this document is the original instructions. All other languages are a translation of the original instructions.

Crestron product development software is licensed to Crestron dealers and Crestron Service Providers (CSPs) under a limited nonexclusive, nontransferable Software Development Tools License Agreement. Crestron product operating system software is licensed to Crestron dealers, CSPs, and end-users under a separate End-User License Agreement. Both of these Agreements can be found on the Crestron website at [www.crestron.com/legal/software\\_license\\_agreement](http://www.crestron.com/legal/software_license_agreement).

The product warranty can be found at [www.crestron.com/warranty](http://www.crestron.com/warranty).

The specific patents that cover Crestron products are listed at [www.crestron.com/legal/patents](http://www.crestron.com/legal/patents).

Certain Crestron products contain open source software. For specific information, visit [www.crestron.com/opensource](http://www.crestron.com/opensource).

Crestron, the Crestron logo, and XiO Cloud are either trademarks or registered trademarks of Crestron Electronics, Inc. in the United States and/or other countries. HDMI is either a trademark or registered trademark of HDMI Licensing LLC in the United States and/or other countries. VESA is either a trademark or registered trademark of Video Electronics Standards Association in the United States and/or other countries. Zoom Rooms is either a trademark or registered trademark of Zoom Video Communications, Inc. in the United States and/or other countries. Other trademarks, registered trademarks, and trade names may be used in this document to refer to either the entities claiming the marks and names or their products. Crestron disclaims any proprietary interest in the marks and names of others. Crestron is not responsible for errors in typography or photography.

©2020 Crestron Electronics, Inc.

Doc. 8802B

11/25/20